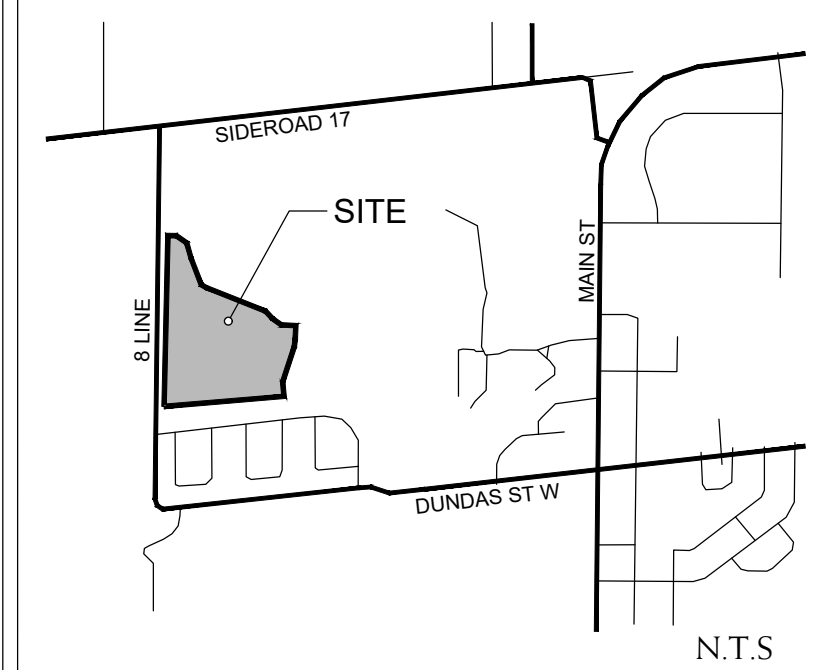


**KEY PLAN**



**LEGEND**

- PARK DECIDUOUS TREE
- PARK ORNAMENTAL TREE
- PARK CONIFEROUS TREE
- NATURALIZATION DECIDUOUS TREES
- NATURALIZATION CONIFEROUS TREE
- NATURALIZATION SHRUB PLANTING
- ROCKERY STONE
- PARK FURNISHINGS
- RETAINING WALL
- RAILING
- DECORATIVE METAL FENCE (REFER TO FENCING PLAN F-0)
- CHAIN LINK FENCE (REFER TO FENCING PLAN F-0)

BASE INFORMATION OBTAINED ELECTRONICALLY FROM URBANTECH CONSULTING (JOB NO. 21-684; TEL. 905-946-9461)

0.	MAY 18 2022	ISSUED FOR DRAFT PLAN AND ZONING SUBMISSION #1	AV
no.	date	version	by

All information hereon to be checked and verified at the site and any discrepancies must be reported to and clarified by the landscape architect before commencing work. All drawings, specifications, details, digital information, etc., prepared by the landscape architect are instruments of service and as such are his property and must be returned at his request.

MEMBER

**ALEXANDER BUDREVICS**  
REGISTERED PROFESSIONAL  
LANDSCAPE ARCHITECTS

895 Don Mills Road, Second Tower, Suite 212  
Toronto, Ontario, Canada, M3C 1W3

416.444.5201

www.budrevics.com

project  
**ERIN SUBDIVISION**  
 5528 EIGHTH LINE  
 ERIN, ONTARIO  
 EC (ERIN) GP INC.  
 drawing

**PARK LANDSCAPE CONCEPT PLAN**

date	DECEMBER 14, 2021	drawn	AV
scale*	1:300	file	3528 Lo V0-220518
direction		project no.	3528
		sheet no.	PK-1

\*NOTED SCALE IS APPLICABLE ONLY WHEN PRINTED ON ARCH D (34"x36") SIZE SHEET

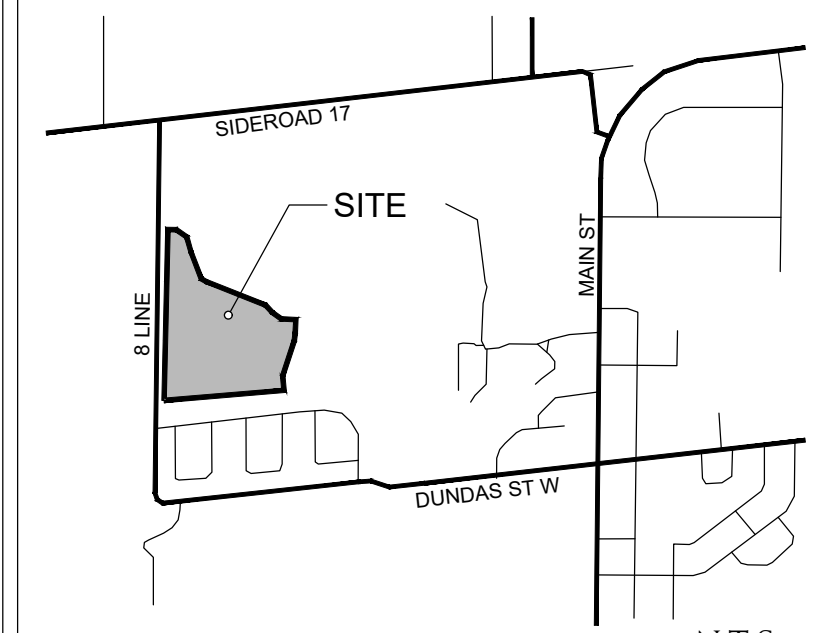
# SUGGESTED STREET TREE PLANT LIST

ERIN MILLS SUBDIVISION  
- ABAL 3528

In the event of a discrepancy between the planting plan and the plant list quantities, the planting plan shall govern.

BOTANICAL NAME	COMMON NAME	CALIPER	HEIGHT	SPREAD	ROOT	REMARKS	SPACING
<b>DECIDUOUS TREES</b>							
ACER X FREEMANII 'CELZAM'	CELEBRATION MAPLE	60mm	3500mm	1500mm	S.B.	EQUAL FORM	----
ACER X FREEMANII 'JEFFERSRED'	AUTUMN BLAZE MAPLE	60mm	3500mm	1500mm	S.B.	EQUAL FORM	----
ACER SACCHARUM	SUGAR MAPLE	60mm	3500mm	1500mm	S.B.	EQUAL FORM	----
GINKGO BILOBA	MAIDENHAIR TREE	60mm	3500mm	1500mm	S.B.	EQUAL FORM	----
GLEDITSIA TRIACANTHOS 'SUNBURST'	SUNBURST HONEY-LOCUST	60mm	3500mm	1500mm	S.B.	EQUAL FORM	----
GYMNOGLADUS DIOICUS	KENTUCKY COFFEETREE	60mm	3500mm	1500mm	S.B.	EQUAL FORM	----
PYRUS CALLERYANA 'GHANTIGLEER'	GHANTIGLEER PEAR	60mm	3000mm	1200mm	S.B.	EQUAL FORM	----
QUERCUS BICOLOR	SHAMP WHITE OAK	60mm	3500mm	1500mm	S.B.	EQUAL FORM	----
TILIA GORDATA VAR.	LITTLELEAF LINDEN	60mm	3500mm	1500mm	S.B.	EQUAL FORM	----
ULMUS X 'PIONEER'	PIONEER ELM	60mm	3500mm	1500mm	S.B.	EQUAL FORM	----

## KEY PLAN



N.T.S

## LEGEND

○ PROPOSED STREET TREES  
(SPACING = 15m O.C)

NOTE:  
ALL STAKES, HOSES, AND WIRES TO BE REMOVED BY CONTRACTOR PRIOR TO FINAL ACCEPTANCE.

MULCHPROOF IN NURSERY PRIOR TO DELIVERY

PRUNING SHALL BE LIMITED TO DEAD OR BROKEN BRANCHES AFTER PLANTING. MAINTAIN ORIGINAL SHAPE OF TREE. DO NOT TRIM LEADER BRANCH.

SET TREE 50mm HIGHER THAN ADJACENT FINISHED GRADE TO ALLOW FOR SETTLEMENT

SET TREE STAKES JUST INSIDE TREE PIT AS SHOWN

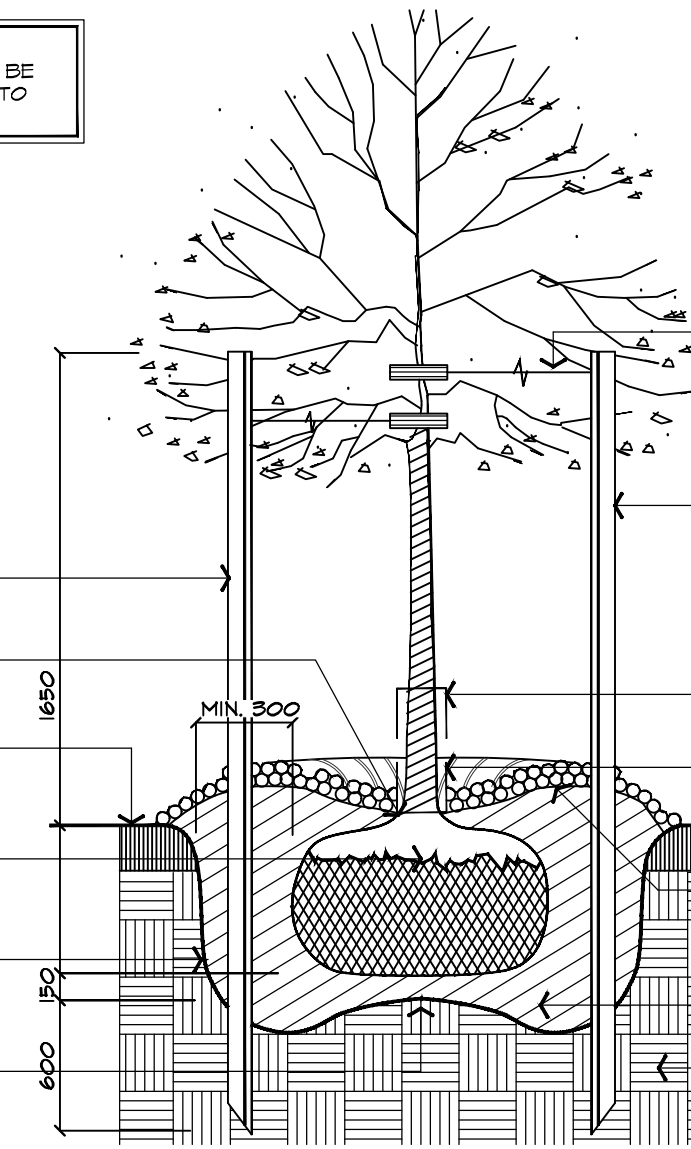
SOIL LEVEL SHOULD MATCH TOP OF ROOT BALL

FINISHED GRADE

CUT AND REMOVE TOP 1/3 OF BURLAP FROM ROOTBALL INCLUDING ALL TIE ROPE AND WIRE

SCARIFY, IRRIGATE AND FERTILIZE THE INSIDE OF THE TREE PIT PRIOR TO PLANTING

PROVIDE 75mm SOIL MOUND AT BASE OF PIT AS SHOWN



12 GAUGE GALVANIZED WIRE ENCLOSED IN 12mm DIAMETER RUBBER HOSE OR ARBORTIE OR APPROVED EQUAL, SECURED AROUND TREE TRUNK ABOVE FIRST STRONG BRANCH.

TWO 2400mm LONG 50mm SQUARE PRESSURE TREATED WOOD STAKES SECURED INTO GROUND AS SHOWN

PROVIDE APPROVED RODENT GUARD WHERE REQUIRED

KEEP MULCH BACK 50mm FROM TRUNK OF TREE

CONSTRUCT 100mm SOIL SAUCER AROUND TREE BASE AND COVER WITH 75mm APPROVED SHREDED WOOD MULCH

SPECIFIED SOIL MIXTURE FIRMLY COMPACTED TO ELIMINATE AIR POCKETS AND PREVENT SETTLEMENT

COMPACTED SUBGRADE

1 DECIDUOUS TREE PLANTING DETAIL  
TYPICAL INSTALLATION FOR 75mm CALIPER TREES OR LESS

N.T.S

ABAL P101-1212/4

BASE INFORMATION OBTAINED ELECTRONICALLY FROM ARMSTRONG PLANNING (JOB NO. 21.2842.00)

no.	date	version	by
0.	MAY 18 2022	ISSUED FOR DRAFT PLAN AND ZONING SUBMISSION #1	AV

All information hereon to be checked and verified at the site and any discrepancies must be reported to and clarified by the landscape architect before commencing work. All drawings, specifications, details, digital information, etc., prepared by the landscape architect are instruments of service and as such are his property and must be returned at his request.



**ALEXANDER BUDREVICS**  
LANDSCAPE ARCHITECTS

895 Don Mills Road, Second Tower, Suite 212  
Toronto, Ontario, Canada, M3C 1W3  
416.444.5201

www.budrevics.com



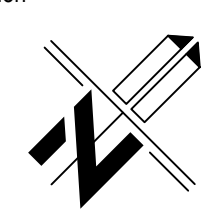
project

**ERIN SUBDIVISION**  
5528 EIGHTH LINE  
ERIN, ONTARIO

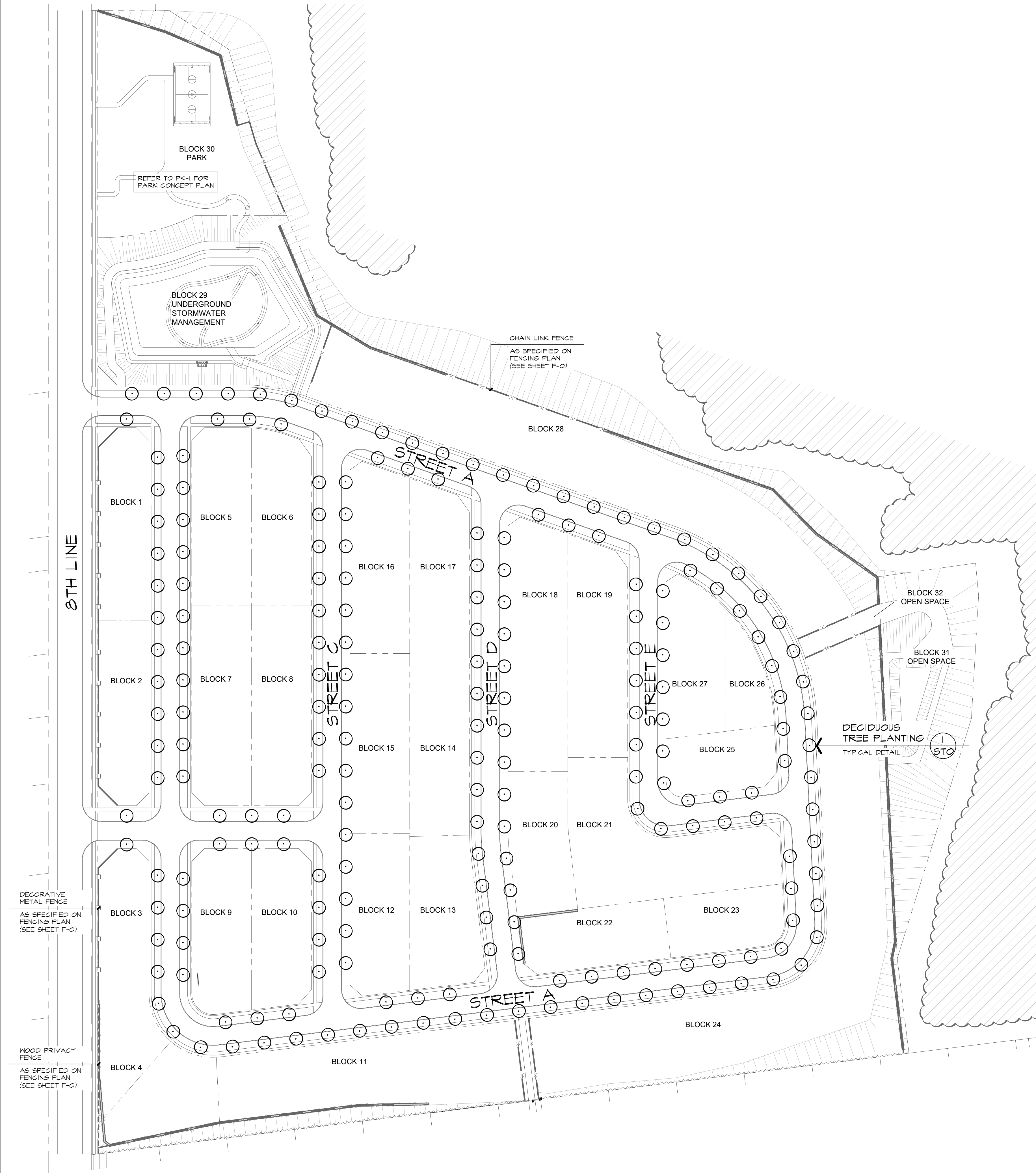
EC (ERIN) GP INC.

drawing

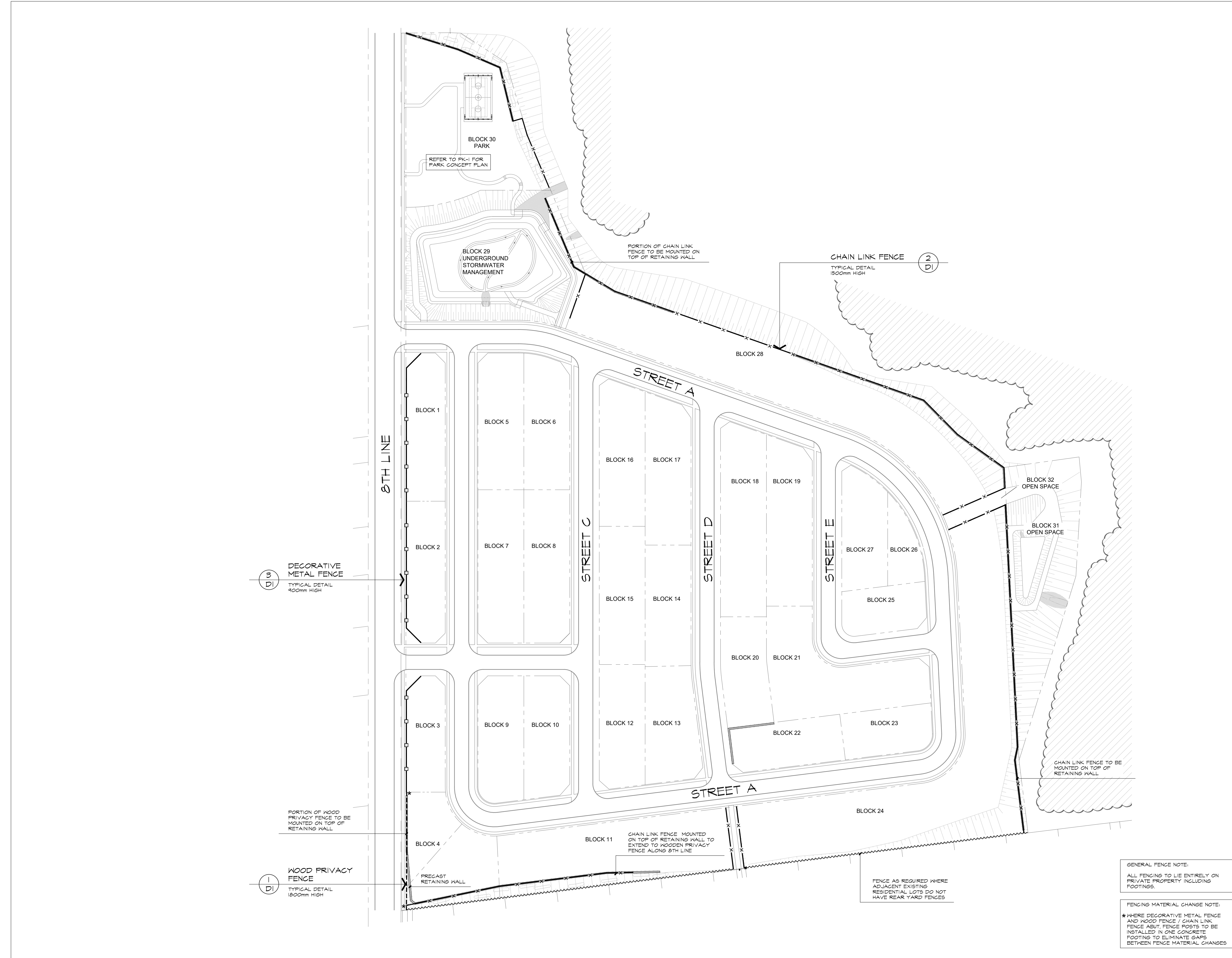
**STREET TREE CONCEPT PLAN**

date	DECEMBER 14, 2021	drawn	AV
scale*	1:1000	file	3528 ST0 V0-220518
direction		project no.	3528
		sheet no.	ST-0

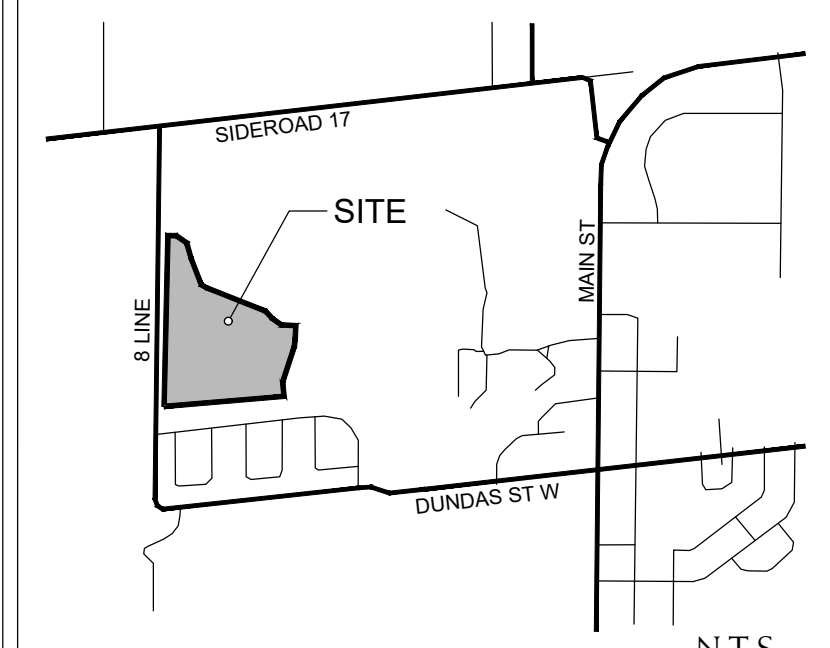
\*NOTED SCALE IS APPLICABLE ONLY WHEN PRINTED ON ARCH D (34"x36") SIZE SHEET







**KEY PLAN**




**LEGEND**

- DECORATIVE METAL FENCE
- CHAIN LINK FENCE
- FENCE AS REQUIRED
- WOOD PRIVACY FENCE

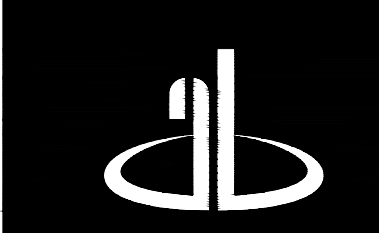
BASE INFORMATION OBTAINED ELECTRONICALLY FROM ARMSTRONG PLANNING (JOB NO. 21.2842.00)

no.	date	version	by
0.	MAY 18 2022	ISSUED FOR DRAFT PLAN AND ZONING SUBMISSION #1	AV

All information hereon to be checked and verified at the site and any discrepancies must be reported to and clarified by the landscape architect before commencing work. All drawings, specifications, details, digital information, etc., prepared by the landscape architect are instruments of service and as such are his property and must be returned at his request.



MEMBER



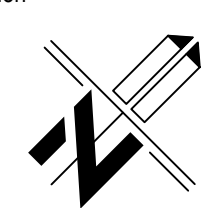
**ALEXANDER BUDREVICS**  
\* ASSOCIATES \* LIMITED \*  
LANDSCAPE ARCHITECTS

895 Don Mills Road, Second Tower, Suite 212  
Toronto, Ontario, Canada, M3C 1W3

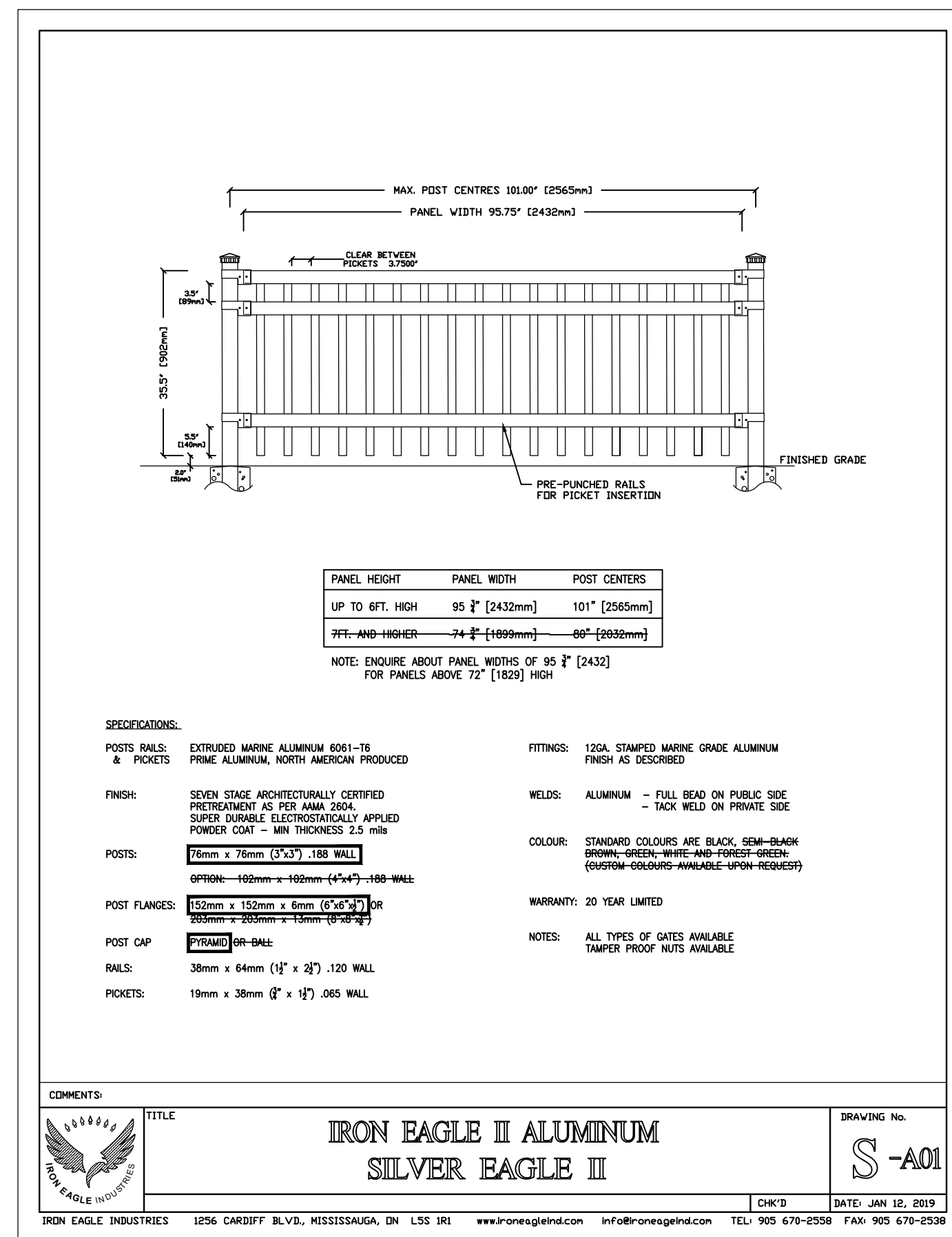
416.444.5201

www.budrevics.com

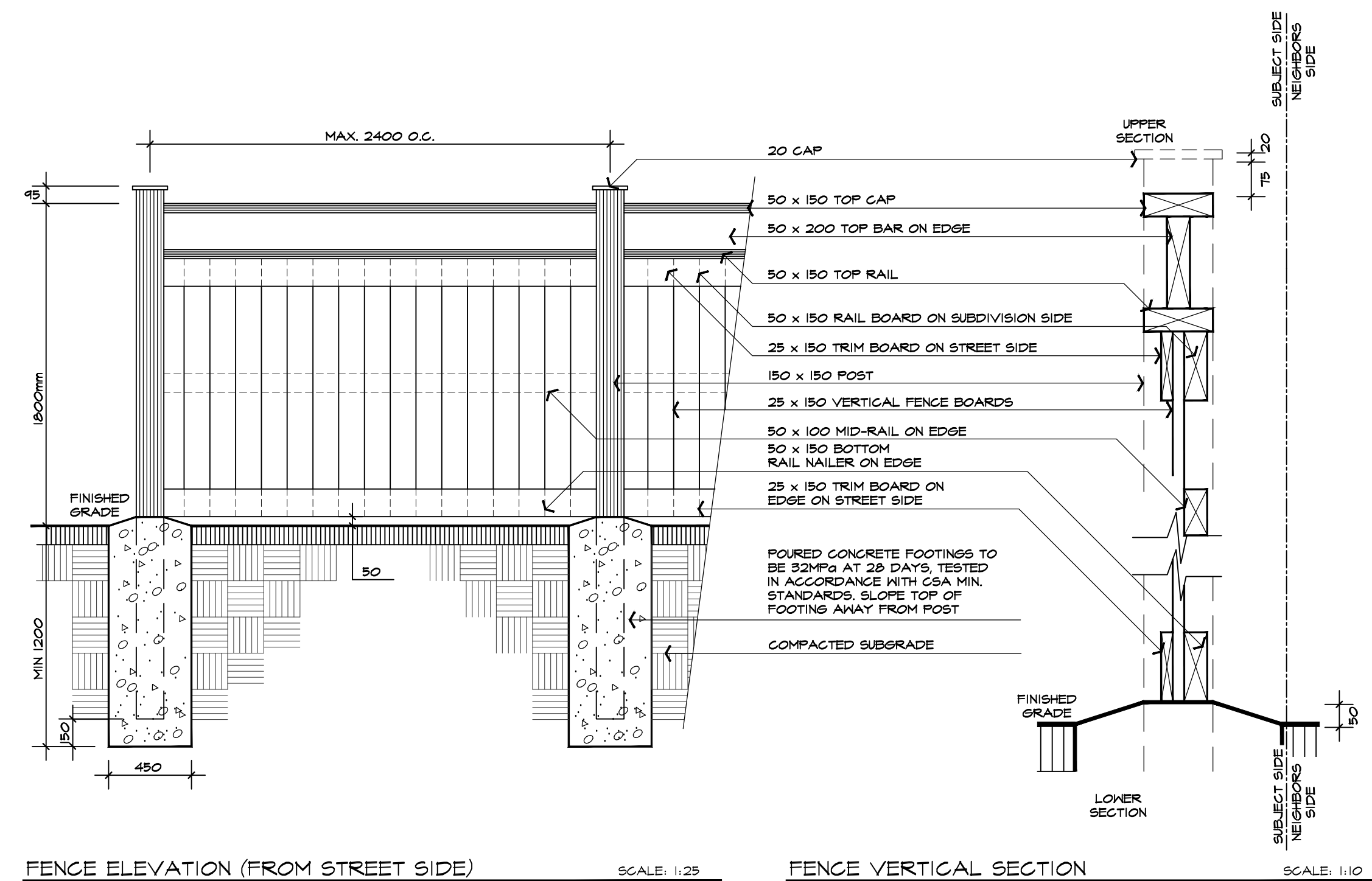
project  
**ERIN SUBDIVISION**  
 5528 EIGHTH LINE  
 ERIN, ONTARIO  
 EC (ERIN) GP INC.  
 drawing  
**OVERALL FENCING CONCEPT PLAN**

date	DECEMBER 14, 2021	drawn	AV
scale*	1:1000	file	3528 Fo V0-220518
direction		project no.	3528
		sheet no.	F-0

\*NOTED SCALE IS APPLICABLE ONLY WHEN PRINTED ON ARCH D (34"x36") SIZE SHEET



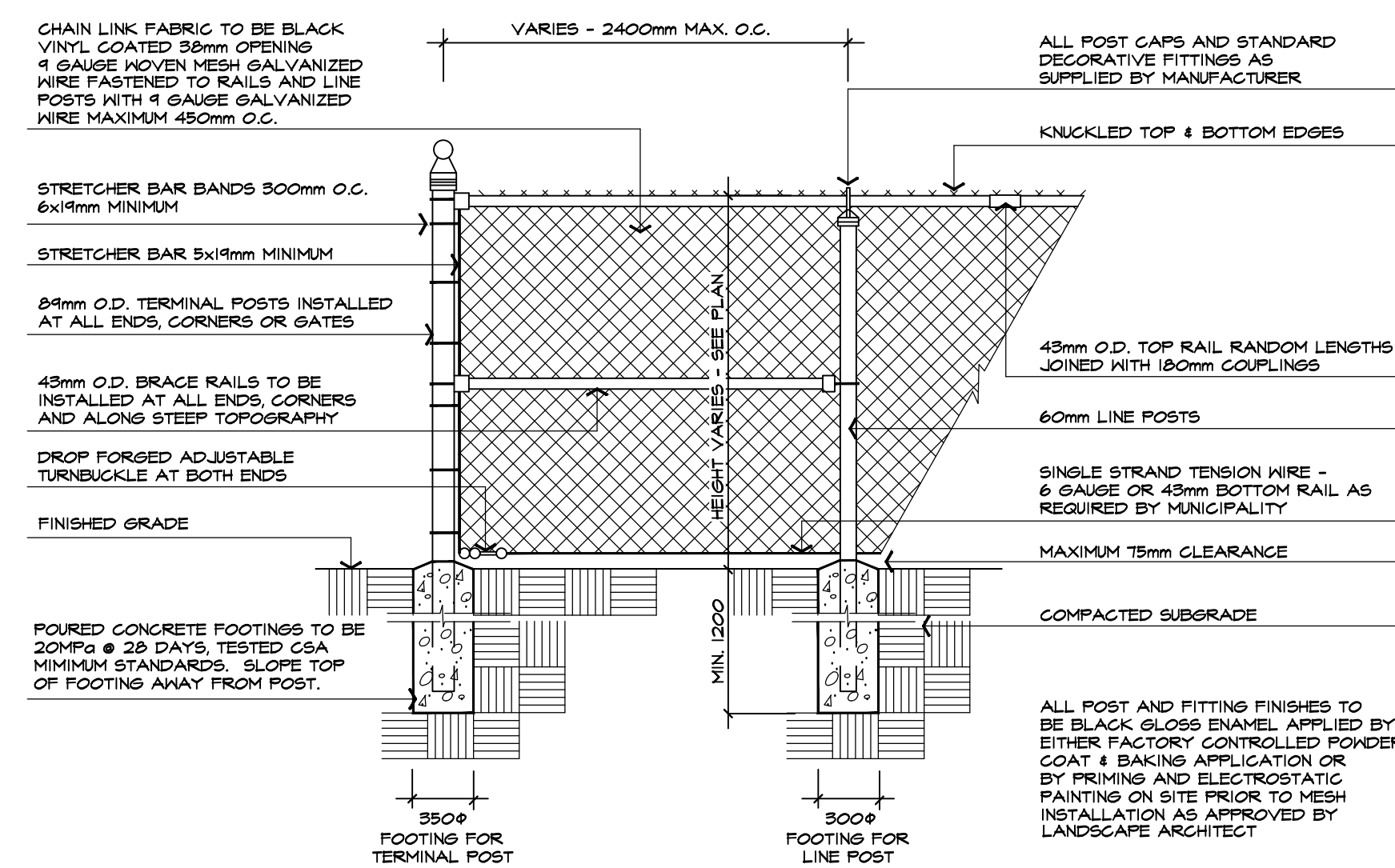
**3 METAL FENCE DETAIL**  
 TO BE INSTALLED AS PER MANUFACTURER'S INSTRUCTIONS NTS  
 MANUFACTURER: IRON EAGLE INDUSTRIES (409-610-2556)  
 HEIGHT: 900mm  
 PRODUCT: IRON EAGLE II SILVER EAGLE II  
 COLOUR: BLACK TO BE DETERMINED  
 OR APPROVED EQUAL



**1 WOODEN PRIVACY FENCE DETAIL**  
 TYPICAL INSTALLATION ABAL F308-210107

**GENERAL NOTES:**

- USE NO. 1 GRADE CEDAR OR PRESSURE TREATED RED PINE, JACK PINE OR APPROVED EQUAL WOOD, FREE OF BENDS, LARGE KNOTS, HOLES, AND WARPING.
- APPLY TWO COATS OF STAIN COLOUR TO BE APPROVED BY OWNER.
- ALL LUMBER DIMENSIONS ARE NOMINAL.
- SECURE ALL LUMBER WITH GALVANIZED NAILS.
- TOE NAIL ALL RAILS WITH TWO NAILS ON EACH END.
- ALL FENCE FOOTINGS TO BE ENTIRELY LOCATED ON TOWNHOUSE SIDE.



**2 CHAIN LINK FENCE DETAIL**  
 TYPICAL INSTALLATION ABAL F101-440514

0.	MAY 18 2022	ISSUED FOR DRAFT PLAN AND ZONING SUBMISSION #1	AV
no.	date	version	by

All information hereon to be checked and verified at the site and any discrepancies must be reported to and clarified by the landscape architect before commencing work. All drawings, specifications, details, digital information, etc., prepared by the landscape architect are instruments of service and as such are his property and must be returned at his request.

**ALEXANDER BUDREVICS & ASSOCIATES LIMITED**  
 LANDSCAPE ARCHITECTS

895 Don Mills Road, Second Tower, Suite 212  
 Toronto, Ontario, Canada, M3C 1W3  
 416.444.5201

www.budrevics.com

project  
**ERIN SUBDIVISION**  
 5528 EIGHTH LINE  
 ERIN, ONTARIO  
 EC (ERIN) GP INC.  
 drawing  
**FENCE DETAILS**

date	DECEMBER 14, 2021	drawn	AV
scale*	AS SHOWN	file	3528 D1 V0-220518
direction		project no.	3528
		sheet no.	D1

\*NOTED SCALE IS APPLICABLE ONLY WHEN PRINTED ON ARCH D (34"x36") SIZE SHEET